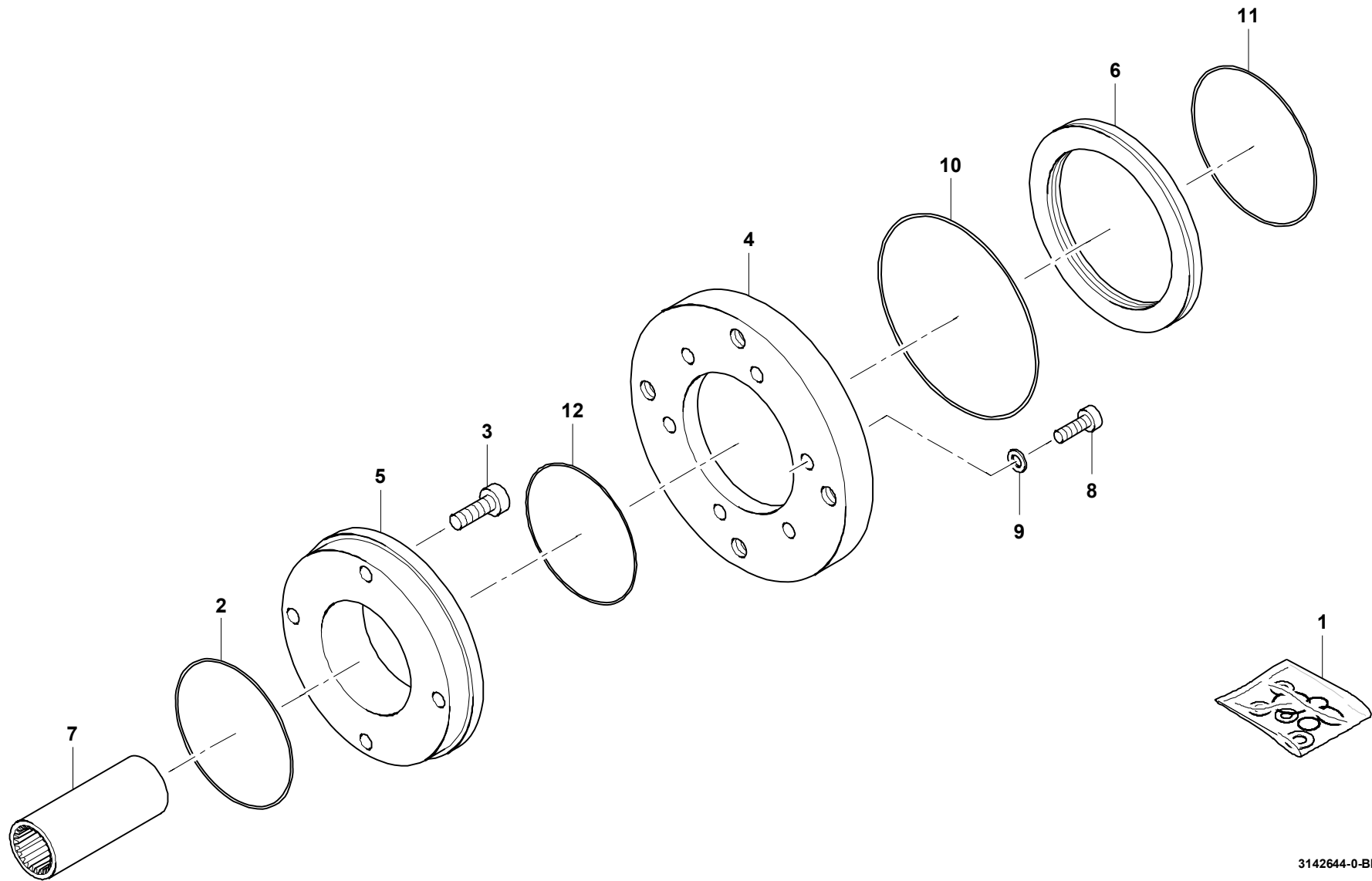


**GROVE**PUMPENTRAEGER  
BRACKET OF PUMPBILDTADEL  
PICTORIAL DISPLAY**GMK 6400**  
**BE 740**  
**G 789**

07.12

**3142644-ETL #**

1/1



3142644-0-BL01-0712-0000